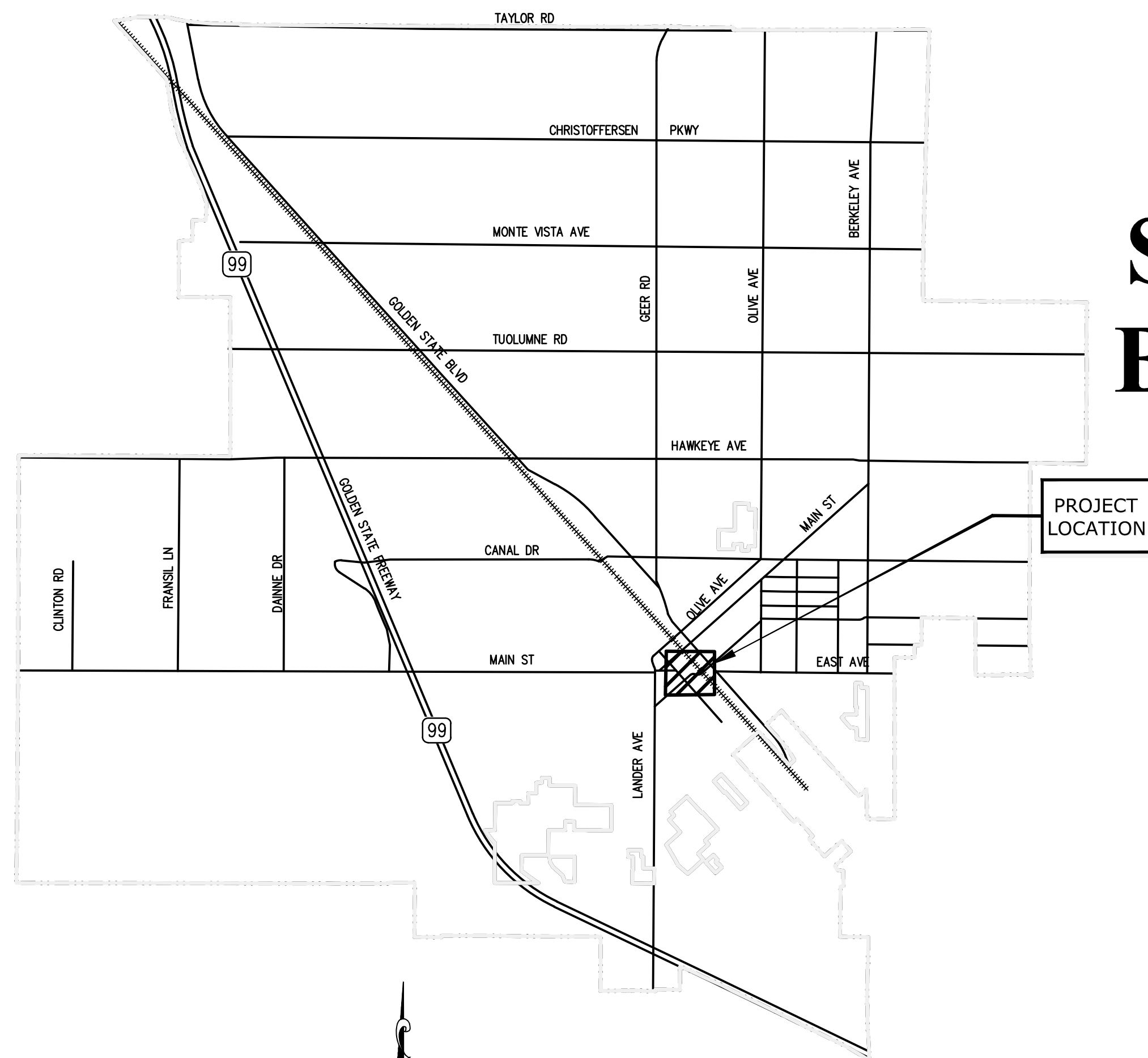


# CITY OF TURLOCK CALIFORNIA CAPITAL PROJECT 19-48 SEWER REPLACEMENT IN ALLEY BEHIND 147 S BROADWAY STREET

SHEET INDEX

SHEET NO.	DESCRIPTION
SHEET NO. 1	TITLE SHEET
SHEET NO. 2	DETAILS AND STANDARD PLANS
SHEET NO. 3	ALLEY BEHIND 147 S BROADWAY STREET



**GENERAL SEWER NOTES:**

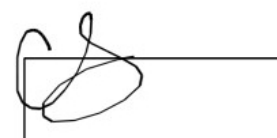
- ALL WORK SHALL BE IN ACCORDANCE WITH THESE PLANS, THE SPECIFICATIONS AND THE CITY OF TURLOCK STANDARD SPECIFICATIONS AND DRAWINGS, 2016 EDITION.
- WHEN A TECHNICAL CONFLICT IS FOUND TO EXIST IN THE CONTRACT DOCUMENTS THAT CAN NOT BE RESOLVED BY REFERENCE TO PRECEDENCE PROVISIONS IN THE STANDARD SPECIFICATIONS, THE CONTRACTOR SHALL IMMEDIATELY REPORT SAID CONFLICT TO THE CITY ENGINEER FOR RESOLUTION.
- ALL MATERIALS AND METHODS ARE SUBJECT TO THE APPROVAL OF THE CITY ENGINEER.
- CONSTRUCTION PERMITS SHALL BE OBTAINED FROM THE CITY, PRIOR TO THE START OF ANY WORK. INSPECTION COORDINATION SHALL BE REQUESTED AT LEAST TWO WORKING DAYS PRIOR TO THE START OF ANY WORK IN PUBLIC RIGHT-OF-WAY WITHIN THE CITY LIMITS. THE CONTRACTOR SHALL CONFORM TO ALL TRAFFIC CONTROL POLICIES, METHODS AND PROCEDURES DESCRIBED IN THE STATE OF CALIFORNIA MANUAL ON UNIFORM TRAFFIC CONTROL DEVICES, LATEST NON-METRIC EDITION UNLESS OTHERWISE DIRECTED BY THE CITY ENGINEER.
- IT SHALL BE THE RESPONSIBILITY OF THE CONTRACTOR TO MAINTAIN BARRICADES, DELINEATORS OR OTHER TRAFFIC CONTROL DEVICES AT ALL TIMES.
- THE CONTRACTOR SHALL OBTAIN A PERMIT TO PERFORM EXCAVATION OR TRENCH WORK FOR TRENCHES 5 FEET OR GREATER IN DEPTH FROM THE CALIFORNIA STATE DIVISION OF INDUSTRIAL SAFETY AND PROVIDE COPY TO THE CITY.
- THE WALLS AND FACES OF ALL EXCAVATIONS GREATER THAN FIVE (5) FEET IN DEPTH SHALL BE GUARDED BY SHORING, SLOPING OF THE GROUND OR OTHER APPROVED MEANS PURSUANT TO THE REQUIREMENTS OF THE DIVISION OF INDUSTRIAL SAFETY OF THE STATE OF CALIFORNIA. TRENCHES LESS THAN FIVE (5) FEET SHALL ALSO BE GUARDED WHEN THE POTENTIAL EXISTS FOR GROUND MOVEMENT.
- NO MATERIAL OR EQUIPMENT SHALL BE STORED IN THE PUBLIC RIGHT OF WAY WITHOUT OBTAINING SEPARATE PERMIT FOR THAT PURPOSE.
- THE LOCATIONS OF UTILITIES SHOWN HAVE BEEN DETERMINED FROM AVAILABLE INFORMATION, HOWEVER, IT SHALL BE THE RESPONSIBILITY OF THE CONTRACTOR TO DETERMINE, IN THE FIELD, THE TRUE LOCATION AND ELEVATION OF ANY EXISTING UTILITIES, AND TO EXERCISE PROPER PRECAUTION TO AVOID DAMAGE THERETO. THE CONTRACTOR SHALL CONTACT UNDERGROUND SERVICE ALERT AT 1-800-227-2600 TWO WORKING DAYS BEFORE EXCAVATION.
- THE CONTRACTOR SHALL COORDINATE CONSTRUCTION WITH ALL UTILITY COMPANIES INCLUDING, BUT NOT LIMITED TO, GAS, TELEPHONE, ELECTRIC, CABLE TELEVISION, LANDSCAPE, IRRIGATION, DOMESTIC WATER, RECLAIMED WATER, SEWER, STORM DRAIN, FLOOD CONTROL AND CALTRANS. ALL UTILITY COMPANIES SHALL BE GIVEN TWO WORKING DAYS NOTICE PRIOR TO WORK AROUND THEIR FACILITIES.
- THE CONTRACTOR SHALL NOT OPERATE ANY FIRE HYDRANT OR WATER MAIN VALVES WITHOUT APPROPRIATE AGENCY AUTHORIZATION. CONTRACTOR SHALL COORDINATE WITH THE CITY FOR VALVE OPERATION AND WATER REQUIREMENTS.
- STATIONING REFERS TO THE CENTERLINE OF SEWER EXCEPT WHERE OTHERWISE NOTED.
- THE CONTRACTOR SHALL BE RESPONSIBLE FOR PROVIDING CONSTRUCTION SURVEY OR CONSTRUCTION CONTROL STAKING TO ENABLE THE CITY CONSTRUCTION INSPECTOR TO CHECK AND VERIFY WITH THE PLAN GRADES.
- THE CONTRACTOR SHALL NOT DISTURB EXISTING SURVEY MONUMENTS, MONUMENT TIES OR BENCH MARKS WITHOUT PRIOR NOTIFICATION TO THE CITY ENGINEER.
- REMOVAL AND REPLACEMENT OF EXISTING SURVEY CONTROL, INCLUDING SURVEY MONUMENTS, MONUMENT TIES AND BENCH MARKS, SHALL BE DONE BY A REGISTERED CIVIL ENGINEER OR LICENSED LAND SURVEYOR. SURVEY MONUMENTS THAT WILL BE DESTROYED AS A RESULT OF THIS CONSTRUCTION SHALL BE REPLACED. THE CONTRACTOR SHALL NOTIFY THE ENGINEER ONE WEEK PRIOR TO CONSTRUCTION SO THAT TIES TO MONUMENTS CAN BE ESTABLISHED FOR LATER REPLACEMENT OF THE MONUMENT.
- THE CONTRACTOR SHALL MAINTAIN STREET ACCESS FOR LOCAL RESIDENTS AND BUSINESSES AT ALL TIMES. A MINIMUM 10 FOOT LANE SHALL BE MAINTAINED AT ALL TIMES IN THE CONSTRUCTION AREA FOR RESIDENTS AND EMERGENCY VEHICLES.
- THE CONTRACTOR SHALL PROVIDE AND MAINTAIN AN EFFECTIVE MEANS OF DUST CONTROL, INCLUDING ADEQUATE WATERING, AT ALL TIMES.
- THE CONTRACTOR SHALL NOT CAUSE ANY EXCAVATED MATERIAL, MUD, SILT OR DEBRIS TO BE DEPOSITED ONTO PUBLIC OR PRIVATE PROPERTY ADJACENT TO THE RIGHT-OF-WAY DURING CONSTRUCTION WITHOUT PRIOR WRITTEN APPROVAL.
- NO EXCAVATION BACKFILL SHALL TAKE PLACE WITHOUT PRIOR APPROVAL OF THE CITY CONSTRUCTION INSPECTOR.
- A GEOTECHNICAL ENGINEER SHALL CERTIFY ALL BACKFILL COMPACTION. FAILURE TO OBTAIN THE REQUIRED DENSITY SHALL REQUIRE RE-WORKING OF THAT PORTION OF THE WORK UNTIL THE SPECIFIED DENSITY IS OBTAINED.
- CARE SHOULD BE TAKEN TO PREVENT GRADES, DITCHES, AND SWALES FROM UNDERMINING STREET IMPROVEMENTS. UPON INSPECTION OF THE SITE, THE CITY ENGINEER MAY REQUIRE TEMPORARY NON-ERODIBLE SWALES ENTERING OR LEAVING IMPROVEMENTS.
- ALL EXPOSED CONCRETE SURFACES SHALL CONFORM IN GRADE, COLOR AND FINISH TO MATCH EXISTING CONCRETE.
- SANITARY SEWER PIPE LINES SHALL BE CONSTRUCTED OF POLYVINYL CHLORIDE (PVC) PIPE AND SHALL CONFORM TO PROVISIONS AS DESCRIBED IN THE CONTRACT SPECIFICATIONS.
- NO OPEN TRENCH SHALL BE ALLOWED AT THE END OF THE DAY WITHOUT PRIOR APPROVAL OF THE CITY ENGINEER.
- PRIOR TO CONSTRUCTION, THE CONTRACTOR SHALL EXPOSE EXISTING FACILITIES, AND VERIFY ELEVATION AND LOCATION OF CONNECTIONS. CITY APPROVAL OF CONNECTIONS TO EXISTING FACILITIES DOES NOT IMPLY CORRECTNESS OF ELEVATIONS OR LOCATIONS SHOWN ON THE PLANS.
- IF EXISTING UTILITIES OR ANY OTHER FACILITIES CONFLICT WITH THE PROPOSED IMPROVEMENTS, THE CONTRACTOR SHALL NOTIFY THE CITY ENGINEER AND ALL AFFECTED AGENCIES IMMEDIATELY.
- NO CONCRETE SHALL BE PLACED UNTIL THE FORMS AND REINFORCING STEEL HAVE BEEN PLACED, INSPECTED AND APPROVED.
- ALL UNDERGROUND UTILITIES SHALL BE INSTALLED, TESTED AND APPROVED PRIOR TO PAVING OF STREETS.
- ALL MANHOLES, CLEANOUTS, FRAMES, COVERS AND VALVE BOXES SHALL BE RAISED TO FINISHED GRADE BY THE PAVING CONTRACTOR UPON COMPLETION OF PAVING.
- UPON COMPLETION OF CONSTRUCTION, CONTRACTOR SHALL RESTORE ALL SIGNING, STRIPING, BARRICADES, AND OTHER TRAFFIC CONTROL DEVICES TO THE SATISFACTION OF THE CITY ENGINEER.
- AS-BUILT DRAWINGS SHALL BE PROVIDED BY THE CONTRACTOR TO THE CITY ENGINEER.
- CONTRACTOR SHALL VERIFY LOCATIONS OF ALL EXISTING SEWER LATERALS, SHOWN AND NOT SHOWN ON THE PLANS, AND RECONNECT TO MAIN LINE PER CITY OF TURLOCK STANDARD DRAWING NO. S-7.
- SEWER MAINS SHALL BE INSTALLED AT LEAST 10-FOOT HORIZONTALLY FROM, AND A MINIMUM OF 1-FOOT BELOW WATER LINES WHEN PARALLEL TO THE WATER LINE AND A MINIMUM OF 1-FOOT BELOW THE WATER LINE WHEN CROSSING THE WATER LINE.
- REFER TO CITY OF TURLOCK STANDARDS "16-29" AND "16-30" FOR SEWER TESTING.

**ABBREVIATIONS**

AB	AGGREGATE BASE	MH	MANHOLE
AC	ASPHALT CONCRETE	MIN	MINIMUM
AP	ANGLE POINT	N	NORTH
AV	AIR VAC	N.I.C.	NOT IN CONTRACT
BC	BEGIN CURVE	N.L.Y	NORTHERLY
BCR	BEGIN CURB RETURN	NO	NUMBER
BEG.	BEGIN	NTS	NOT TO SCALE
BO	BLOWOFF	O.C.	ON CENTER
BVC	BEGIN VERTICAL CURVE	OG	ORIGINAL GROUND
BW	BACK OF WALK	OH	OVERHEAD
BX	BOTTOM OF X	PI	POINT OF INTERSECTION
C&G	CURB AND GUTTER	PCC	PORTLAND CEMENT CONCRETE
CAB	CRUSHED AGGREGATE BASE	PG&E	PACIFIC GAS AND ELECTRIC
CB	CATCH BASIN	PMB	PROCESSED MISCELLANEOUS BASE
C/CL	CENTERLINE	P.O.C.	POINT OF CONNECTION
CF	CURB FACE	PP	POWER POLE
CIR	COLD IN-PLACE RECYCLE	PRC	POINT OF REVERSE CURVE
CLF	CHAIN LINK FENCE	PROP.	PROPOSED
CLR	CLEAR	PRVC	POINT OF REVERSE VERTICAL CURVE
CONC.	CONCRETE	PT	POINT
CONST.	CONSTRUCTION	PVC	POLYVINYL CHLORIDE
CPC	CALIFORNIA PLUMBING CODE	PVMT.	PAVEMENT
DI	DUCTILE IRON	R	RATE
DWY	DRIVEWAY	R.C.	RELATIVE COMPACTION
DWG	DRAWING	RCQ	REINFORCED CONCRETE PIPE
E	EAST	REQ'D	REQUIRED
EC	END CURVE	RSP	ROCK SLOPE PROTECTION
ECR	END CURB RETURN	RT	RIGHT
EG	EDGE OF GUTTER	R/W	RIGHT-OF-WAY
E.J.	EXPANSION JOINT	S	SLOPE
ELEV	ELEVATION	S.L.Y	SOUTHERLY
EOP/EP	EDGE OF PAVEMENT	SCE	SOUTHERN CALIFORNIA EDISON
EVC	END VERTICAL CURVE	SCH	SCHEDULE
EX./EXIST.	EXISTING	SDMH	STORM DRAIN MANHOLE
FDR	FULL DEPTH RECLAMATION	SDWK	SIDEWALK
FG	FINISHED GRADE	ST	STREET
FH	FIRE HYDRANT	STA	STATION
FL	FLOWLINE	STD	STANDARD
FS	FINISHED SURFACE	ST.GR.	STRAIGHT GRADE
GB	GRADE BREAK	TC	TOP OF CURB
GI	GALVANIZED IRON	TELE	TELEPHONE
GL	GUTTER LIP	TI	TOP OF BERM
GSRD	GROSS SOLIDS REMOVAL DEVICE	TOP	TOP OF GRATE
HMA	HOT MIX ASPHALT	TOP	TOP OF PLATFORM
HTF	HIGH TENSILE FIBER	TR	TOP OF RAIL
INT.	INTERSECTION	TW	TOP OF WALL
INV	INVERT	TX	TOP OF X
L	LENGTH	TYP	TYPICAL
LF	LINEAR FEET	V	DEPTH
LIP	LIP OF GUTTER	VAR	VARIABLE
LQL	LAYOUT LINE	VCP	VITRIFIED CLAY PIPE
LT	LEFT	W	WIDTH
MAX	MAXIMUM	WM	WATER METER

**UTILITY CONTACTS:**

SERVICES/COMPANY	CONTACT INFORMATION
UNDERGROUND SERVICE ALERT (USA)	1-800 227-2600 TO LOCATE UNDERGROUND TELEPHONE, CABLE, GAS, SEWER AND WATER LINES
TURLOCK IRRIGATION DISTRICT	(209) 883-8464 REGARDING UNDERGROUND ELECTRICAL CONDUITS
TURLOCK IRRIGATION DISTRICT	(209) 883-8464 REGARDING IRRIGATION FACILITIES
CHARTER COMMUNICATIONS	(209) 656-2124 REGARDING UNDERGROUND CABLE TELEVISION
PACIFIC GAS & ELECTRIC	(209) 576-6609 REGARDING UNDERGROUND GAS LINES
AT&T	(209) 549-5808 REGARDING UNDERGROUND TELEPHONE LINES
CITY OF TURLOCK, MUNICIPAL SERVICES DEPARTMENT	(209) 668-5590 REGARDING UNDERGROUND SEWER AND WATER LINES
FIRE DEPARTMENT	(209) 668-5580
POLICE DEPARTMENT	(209) 668-5580
AMBULANCE	(209) 632-2271


  
 CARLOS GUERRERO  
 UTILITIES MANAGER  
 01/22/2024  
 DATE: \_\_\_\_\_

- GENERAL NOTES**
- THE EXISTENCE AND LOCATION OF ANY UNDERGROUND UTILITY OR SUBSTRUCTURE SHOWN ON THESE PLANS WAS OBTAINED BY A SEARCH OF AVAILABLE RECORDS. NO CERTIFICATION IS MADE AS TO ACCURACY OR THOROUGHNESS OF THESE RECORDS. APPROVAL OF THESE PLANS BY THE CITY OF TURLOCK DOES NOT CONSTITUTE A REPRESENTATION AS TO THE ACCURACY OR COMPLETENESS OF LOCATION OF THE EXISTENCE OR NONEXISTENCE OF ANY UNDERGROUND UTILITY OR SUBSTRUCTURE WITHIN THE LIMITS OF THE PROJECT.
  - CONSTRUCTION CONTRACTOR AGREES THAT IN ACCORDANCE WITH GENERALLY ACCEPTED CONSTRUCTION PRACTICES, CONSTRUCTION CONTRACTOR WILL BE REQUIRED TO ASSUME SOLE AND COMPLETE RESPONSIBILITY FOR JOB SITE CONDITIONS DURING THE COURSE OF CONSTRUCTION OF THE PROJECT, INCLUDING SAFETY OF ALL PERSONS AND PROPERTY; THAT THIS REQUIREMENT SHALL BE MADE TO APPLY CONTINUOUSLY AND NOT TO BE LIMITED TO NORMAL WORKING HOURS, AND CONSTRUCTION CONTRACTOR FURTHER AGREES TO DEFEND, INDEMNIFY AND HOLD DESIGN PROFESSIONAL HARMLESS FROM ANY AND ALL LIABILITY, REAL OR ALLEGED, IN CONNECTION WITH THE PERFORMANCE OF WORK ON THIS PROJECT, EXCEPTING LIABILITY ARISING FROM THE SOLE NEGLIGENCE OF DESIGN PROFESSIONAL.
  - CONTRACTOR SHALL PROTECT ALL MANHOLES AND VALVES IN PLACES UNLESS OTHERWISE NOTED

**100% SUBMITTAL**



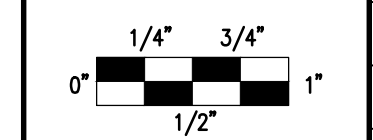
NOTE:  
ALL REFERENCES AND WRITTEN DIMENSION SHALL SUPERCEDE ALL SCALED DISTANCES AND SHALL BE VERIFIED IN THE FIELD. ANY DISCREPANCY SHALL BE BROUGHT TO THE ATTENTION OF THE ENGINEER PRIOR TO THE COMMENCEMENT OF WORK

  
 WILLIAM D. MORRIS, RCE 55910  
 CITY ENGINEER  
 DATE: 1/23/2024




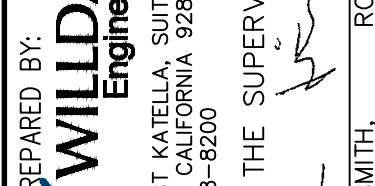
CITY OF TURLOCK  
 PUBLIC WORKS DEPARTMENT  
 ENGINEERING DIVISION  
 156 S. BROADWAY, STE 150  
 (209) 668-5520

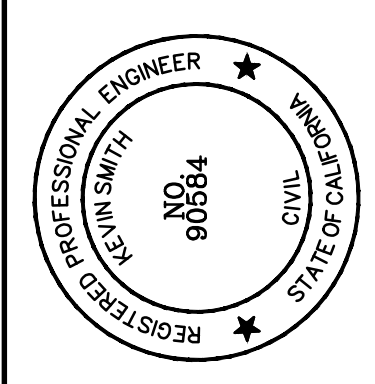
**TITLE SHEET**  
 CAPITAL PROJECT 19-48  
 SEWER REPLACEMENT IN ALLEY  
 BEHIND 147 S BROADWAY STREET

VERIFY SCALE  
 BAR IS 1" ON  
 ORIGINAL DRAWING  
  
 IF NOT ONE INCH ON  
 THIS SHEET, ADJUST  
 SCALES ACCORDINGLY

DRAWN BY: AE  
 REV. BY:  
 CH. BY: TP  
 DATE: 1/23/2024  
 SCALE:

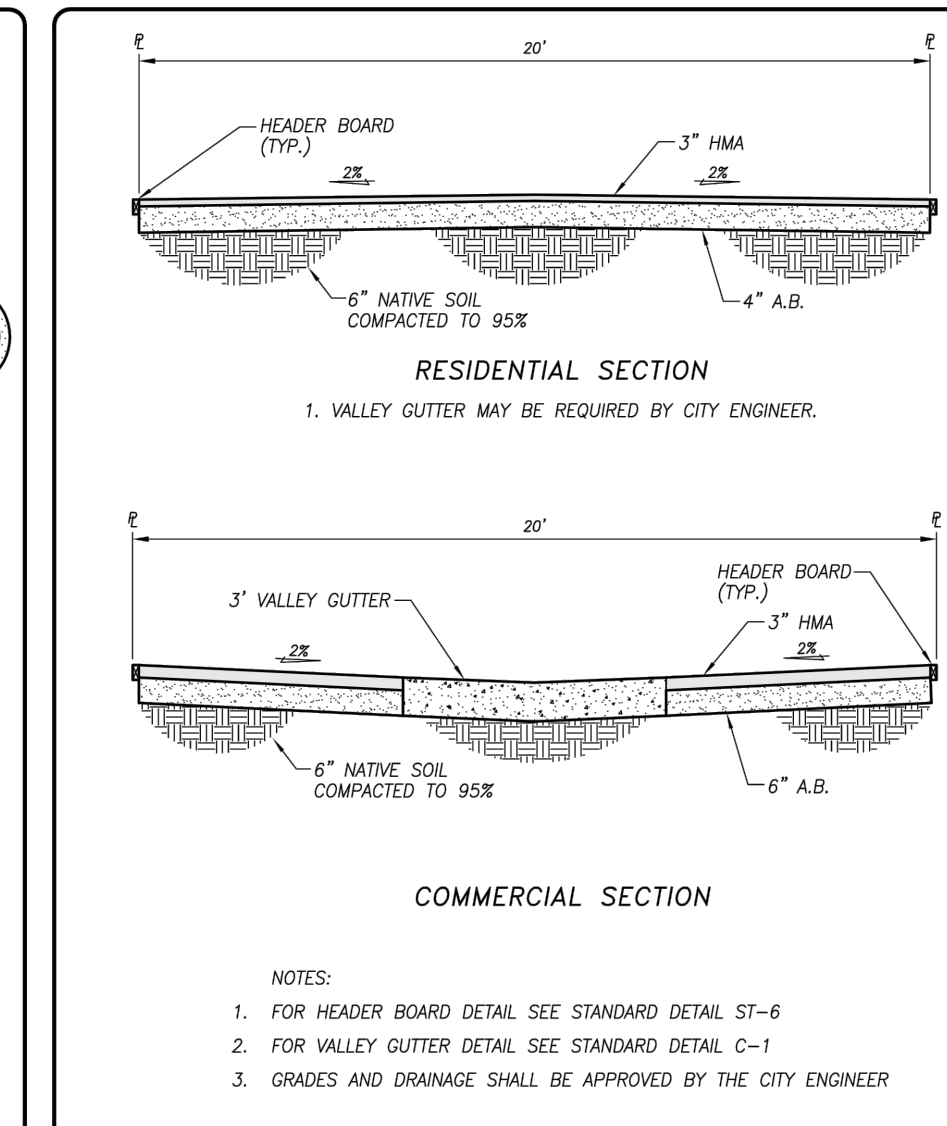
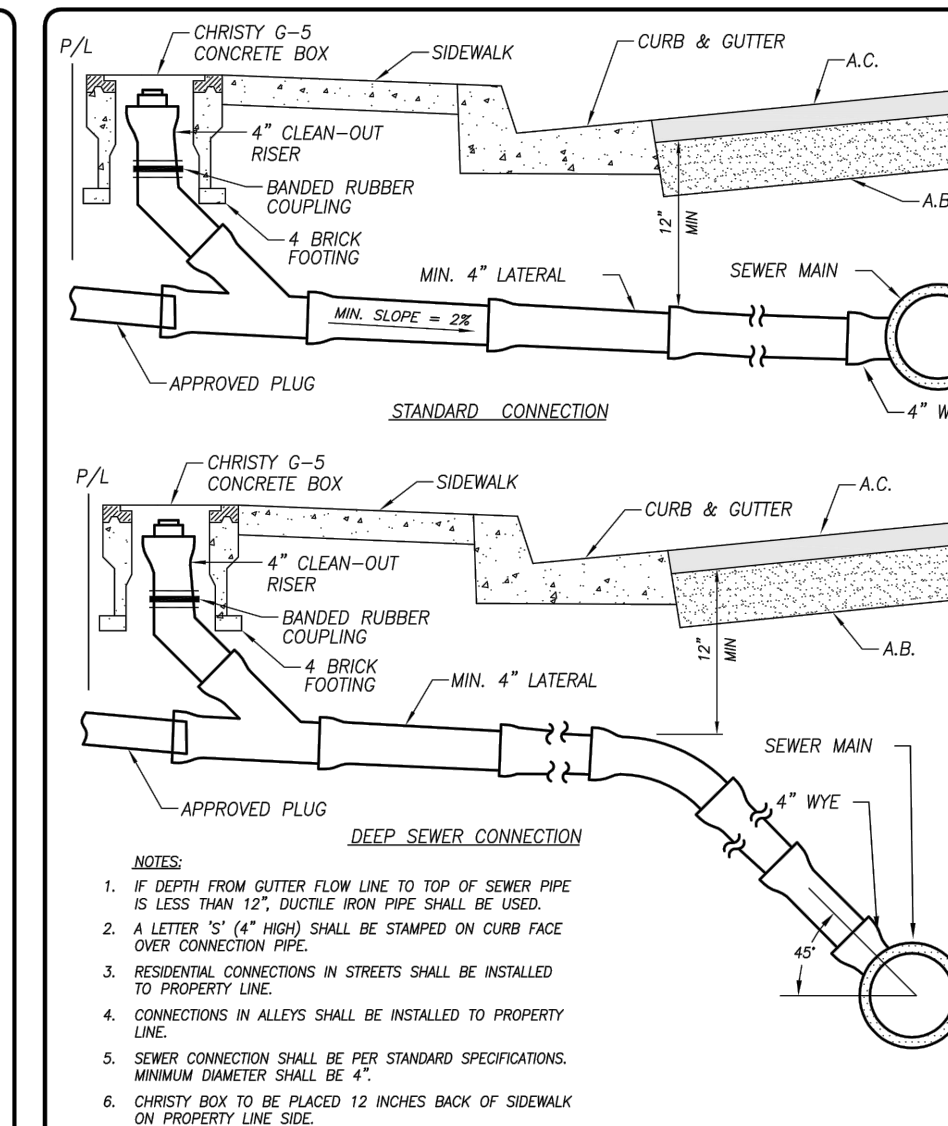
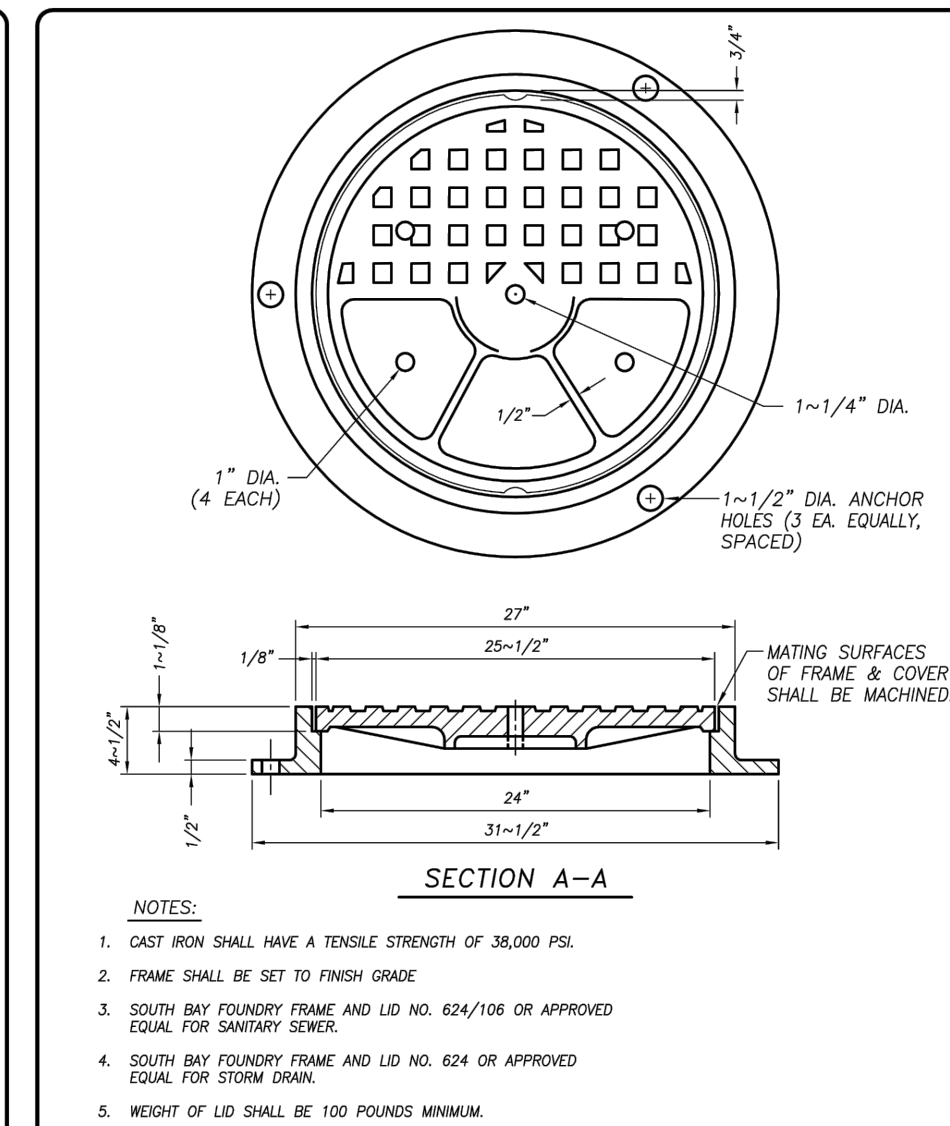
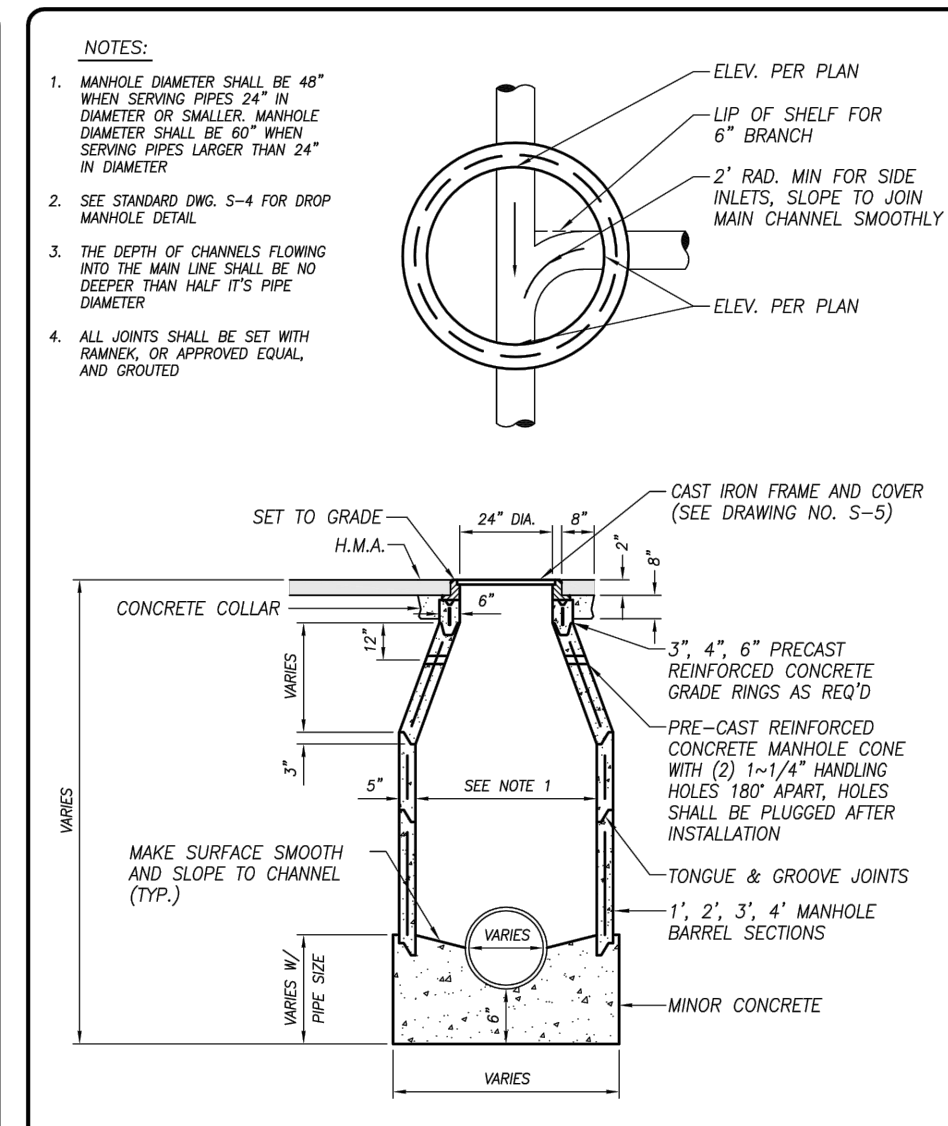
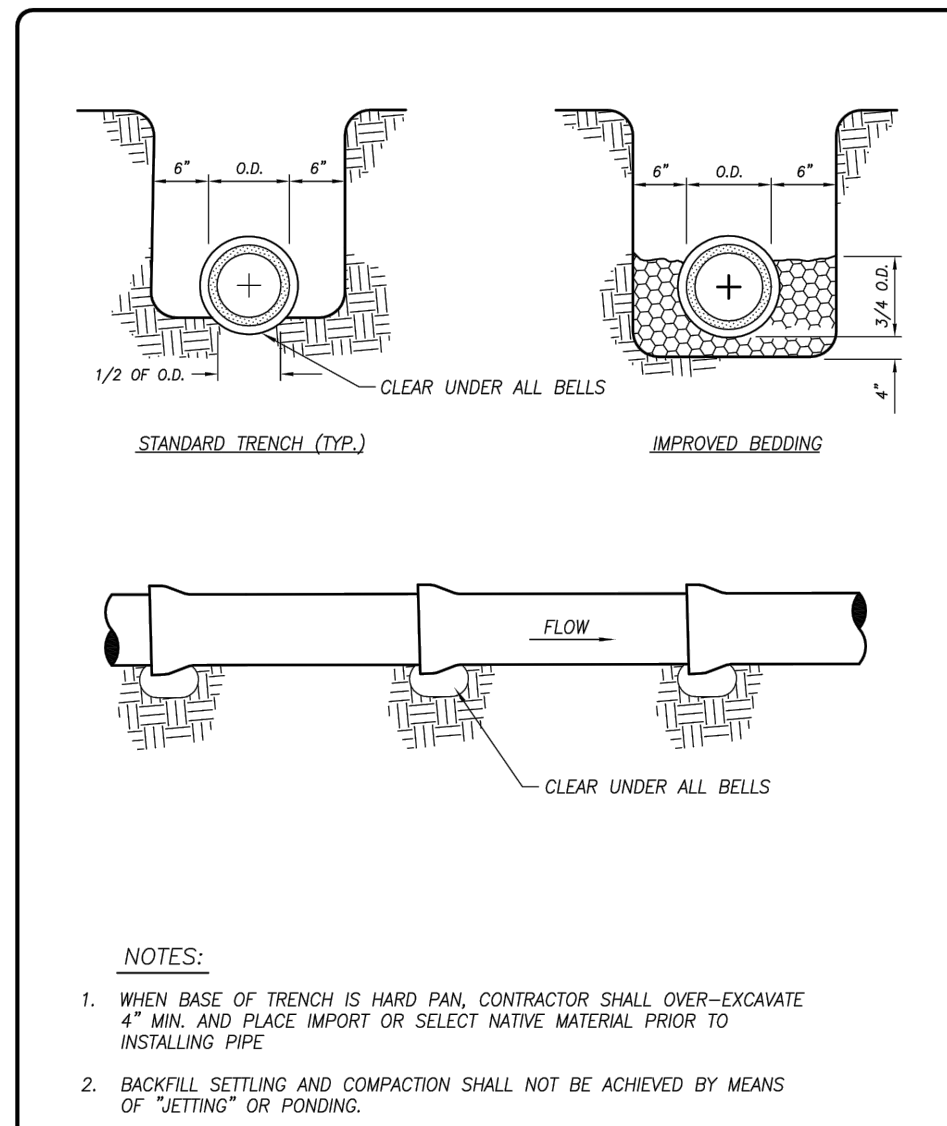
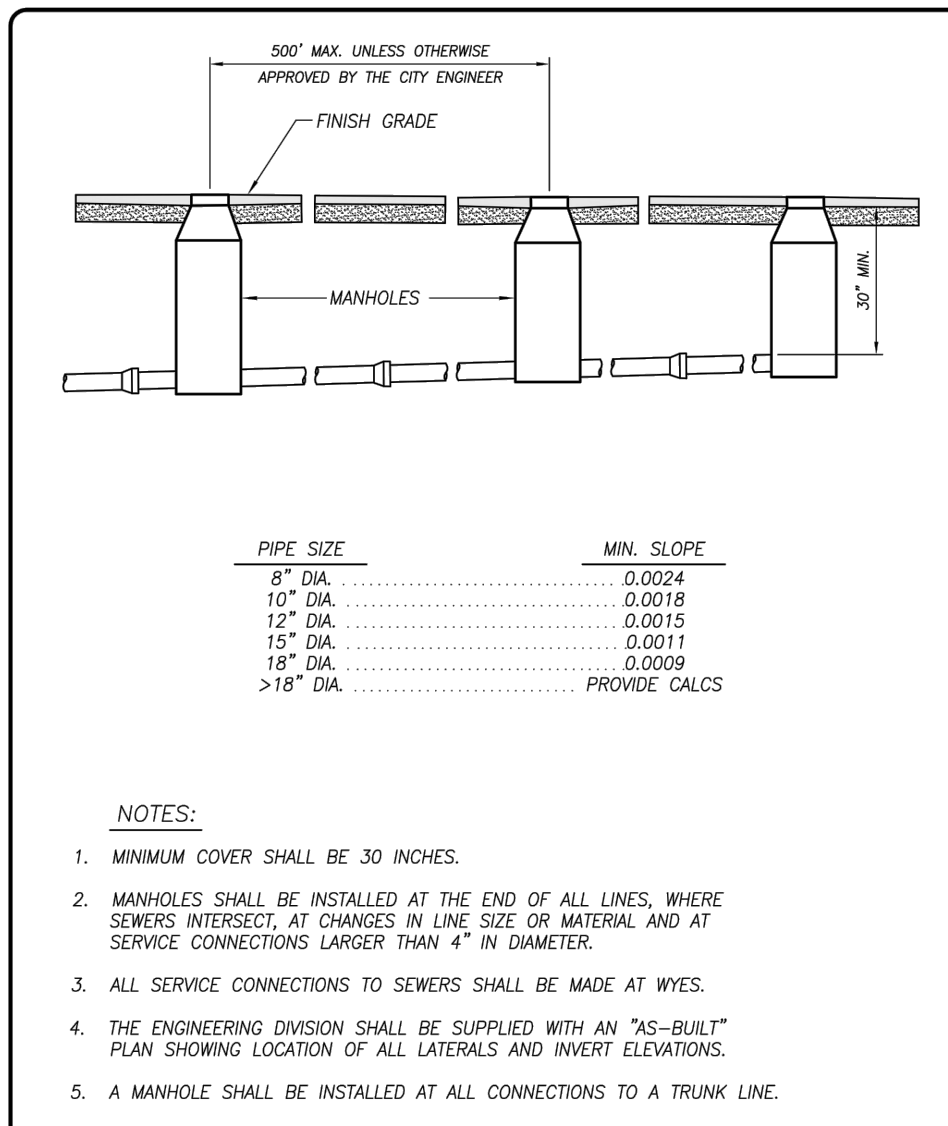
SHEET  
**1**  
 OF  
 3

PLANS PREPARED BY:  
  
 WILDAN  
 Engineering  
 2401 EAST ASTEL BLVD, SUITE 300  
 ANAHEIM, CALIFORNIA 92806  
 (714) 978-1820  
 UNDER THE SUPERVISION OF:  
  
 KEVIN SMITH, RCE No. 90584



CAPITAL PROJECT 19-48  
 SEWER REPLACEMENT IN ALLEY  
 BEHIND 147 S BROADWAY STREET

NO.	REVISIONS	DESCRIPTION	DATE



**SANITARY SEWER DATA**  
CITY OF TURLOCK  
DRAWN BY: JSH  
CHECK BY: NBB  
SCALE: NONE  
APPROVED BY: *M. Pirock*  
CITY ENGINEER - MICHAEL G. PIROCK - RCE 52894  
DRAWING NO. S-1  
COUNCIL APPROVAL  
DEC, 2015

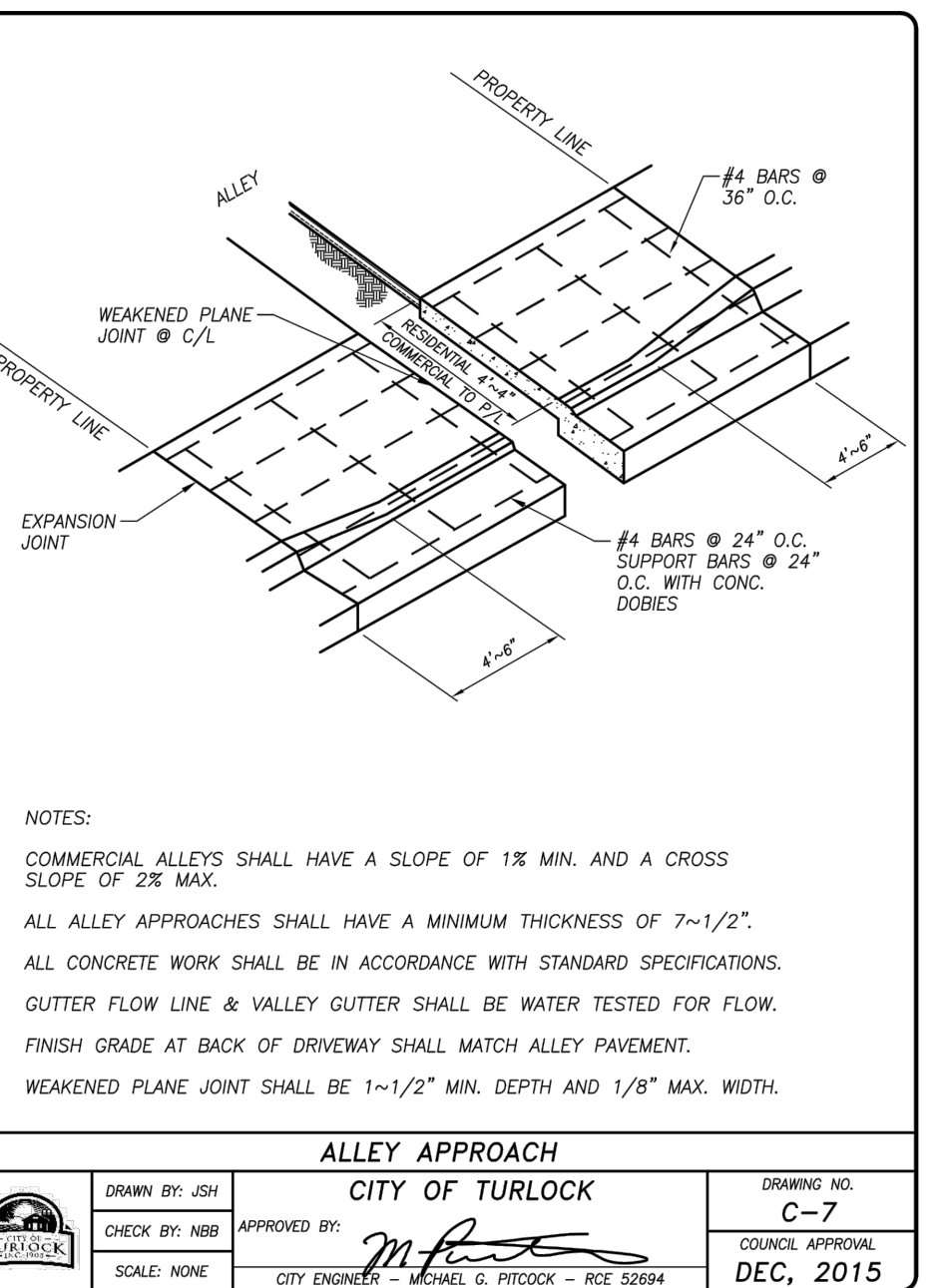
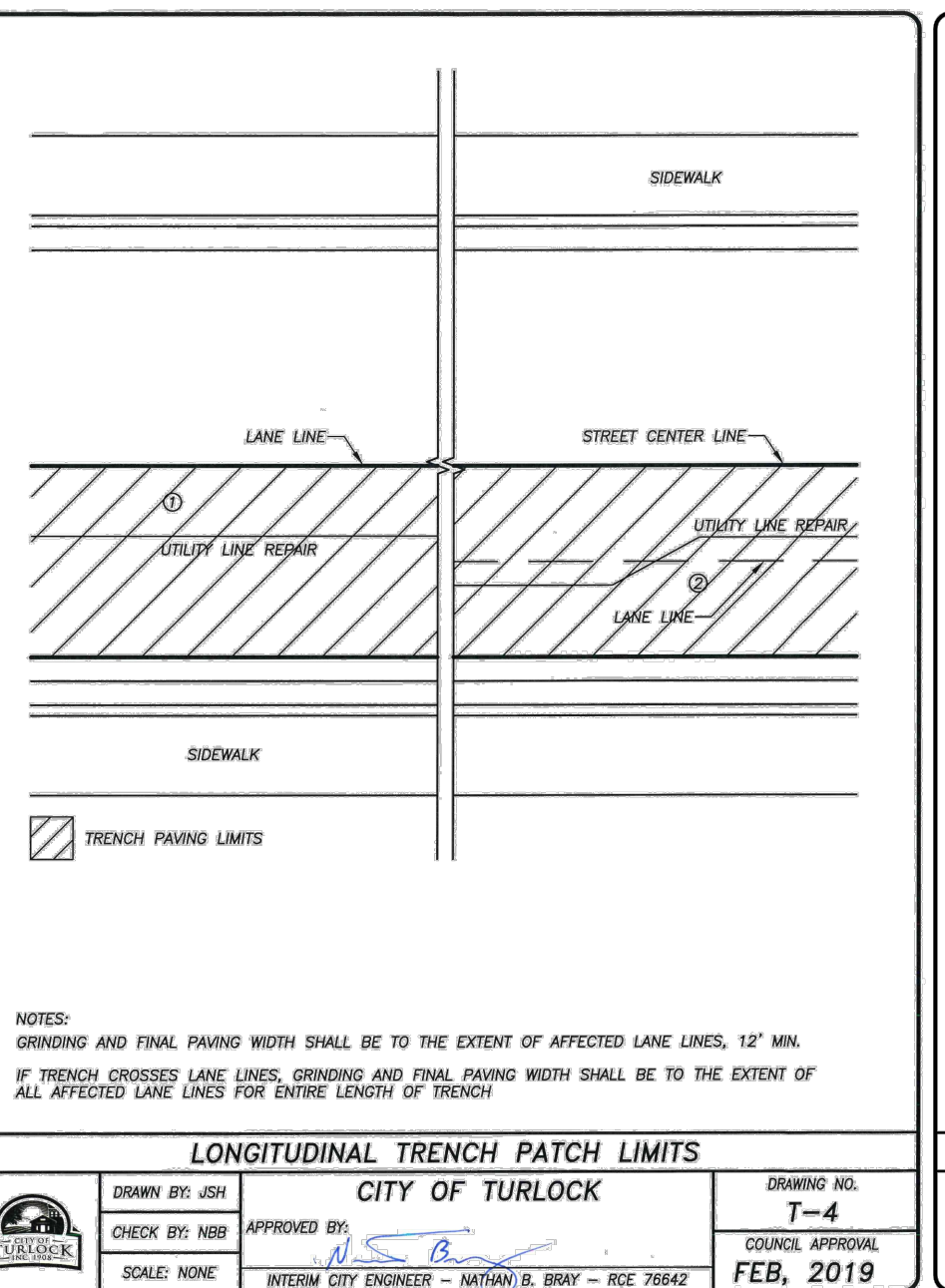
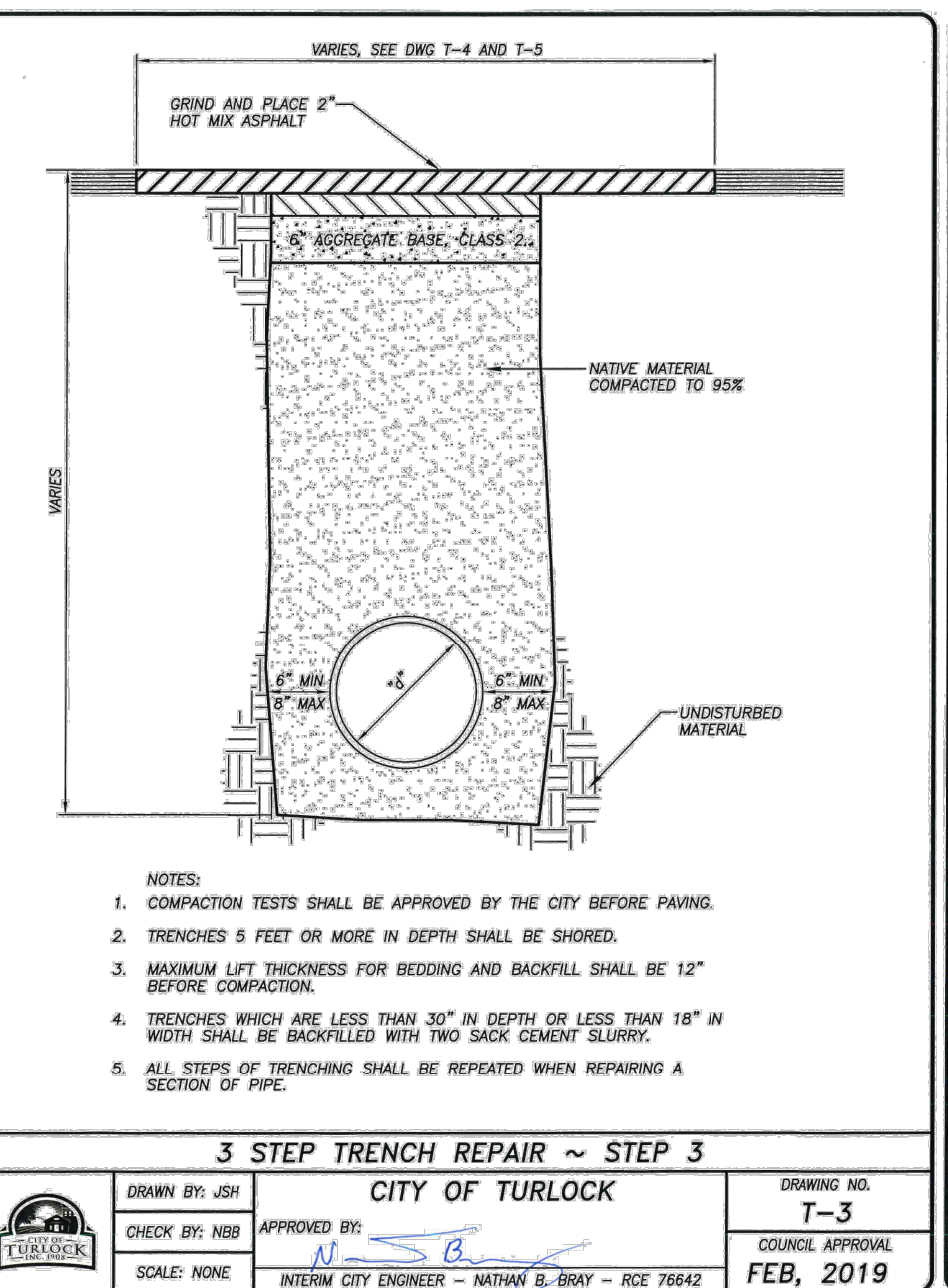
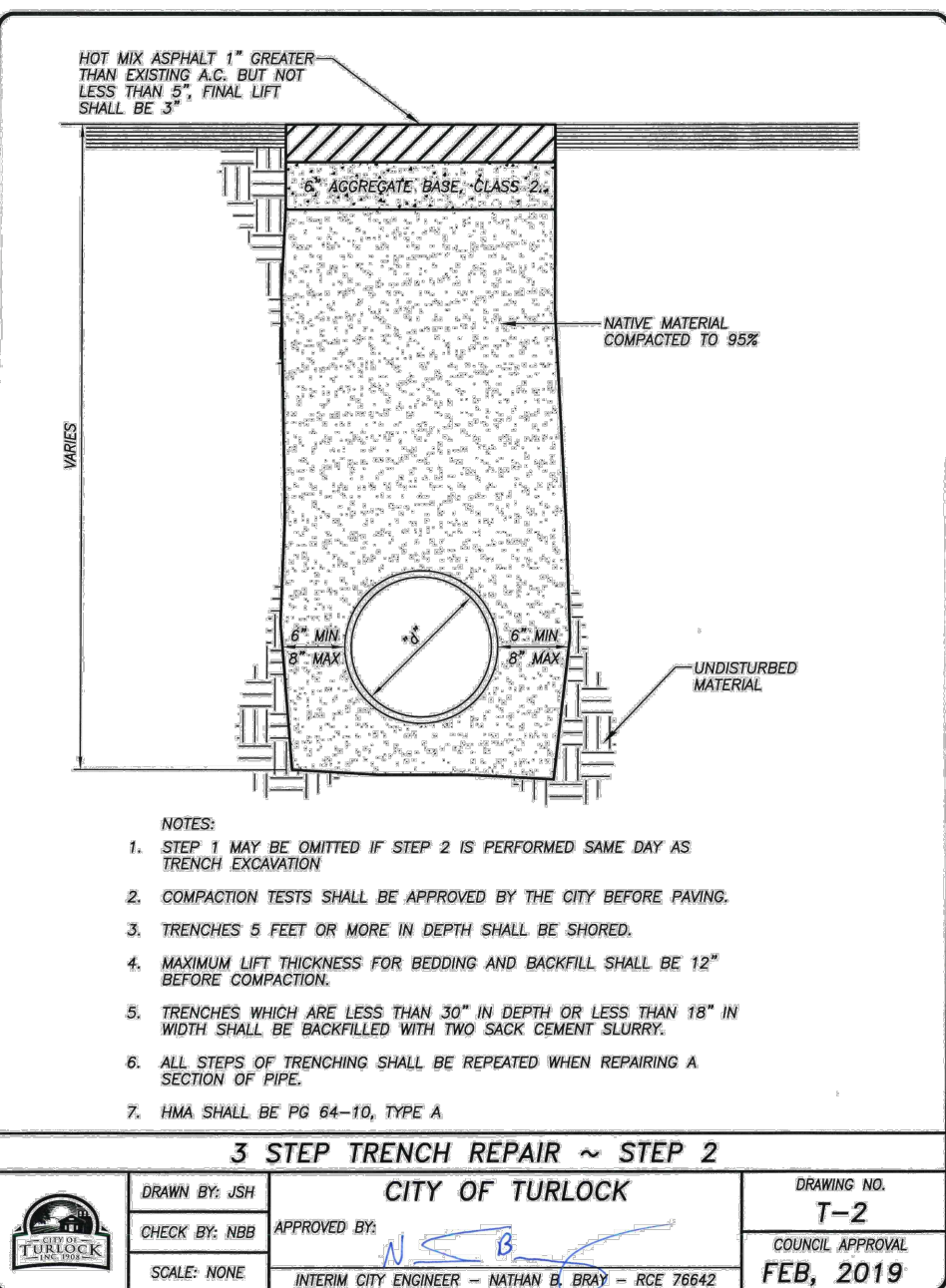
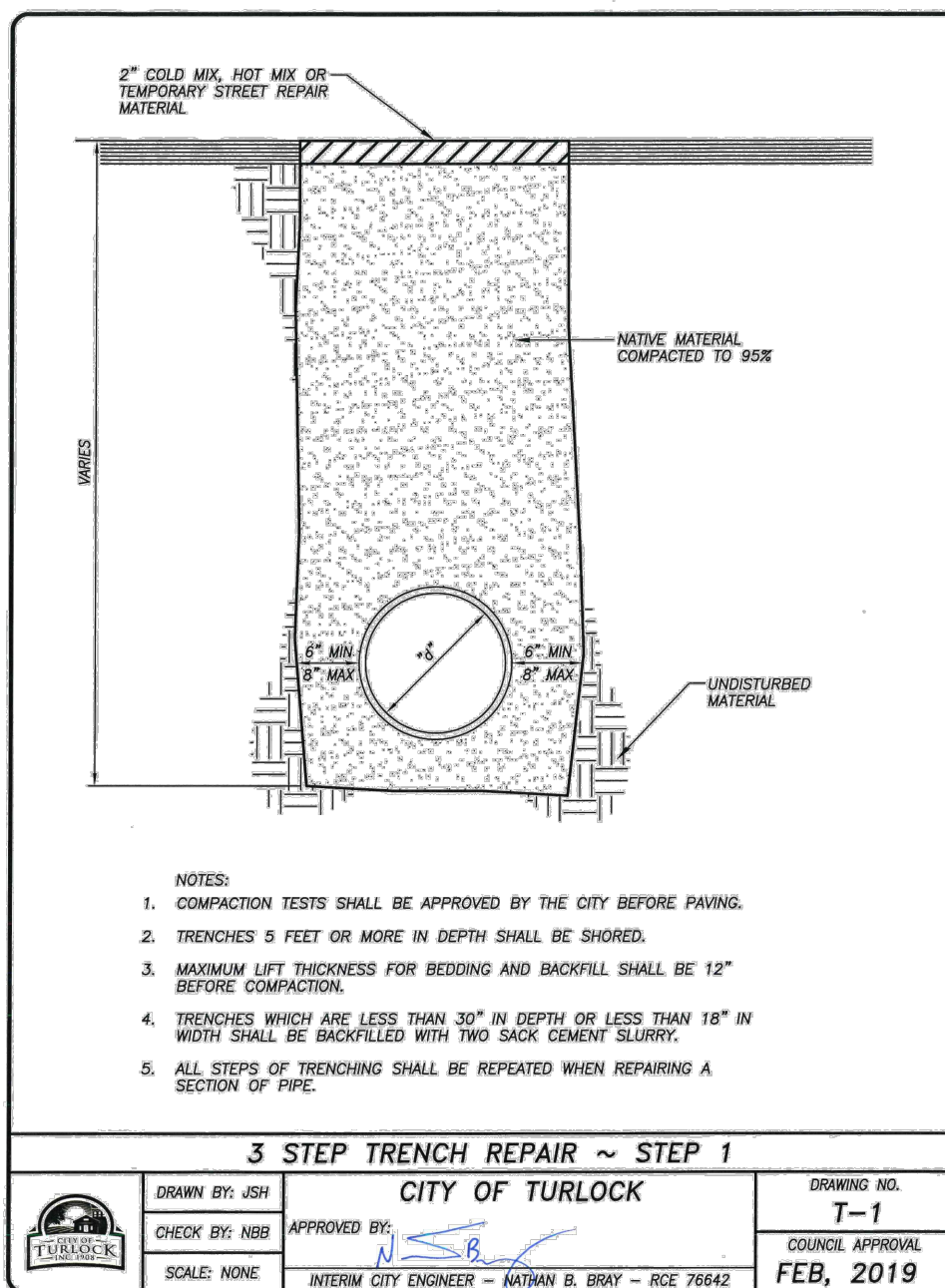
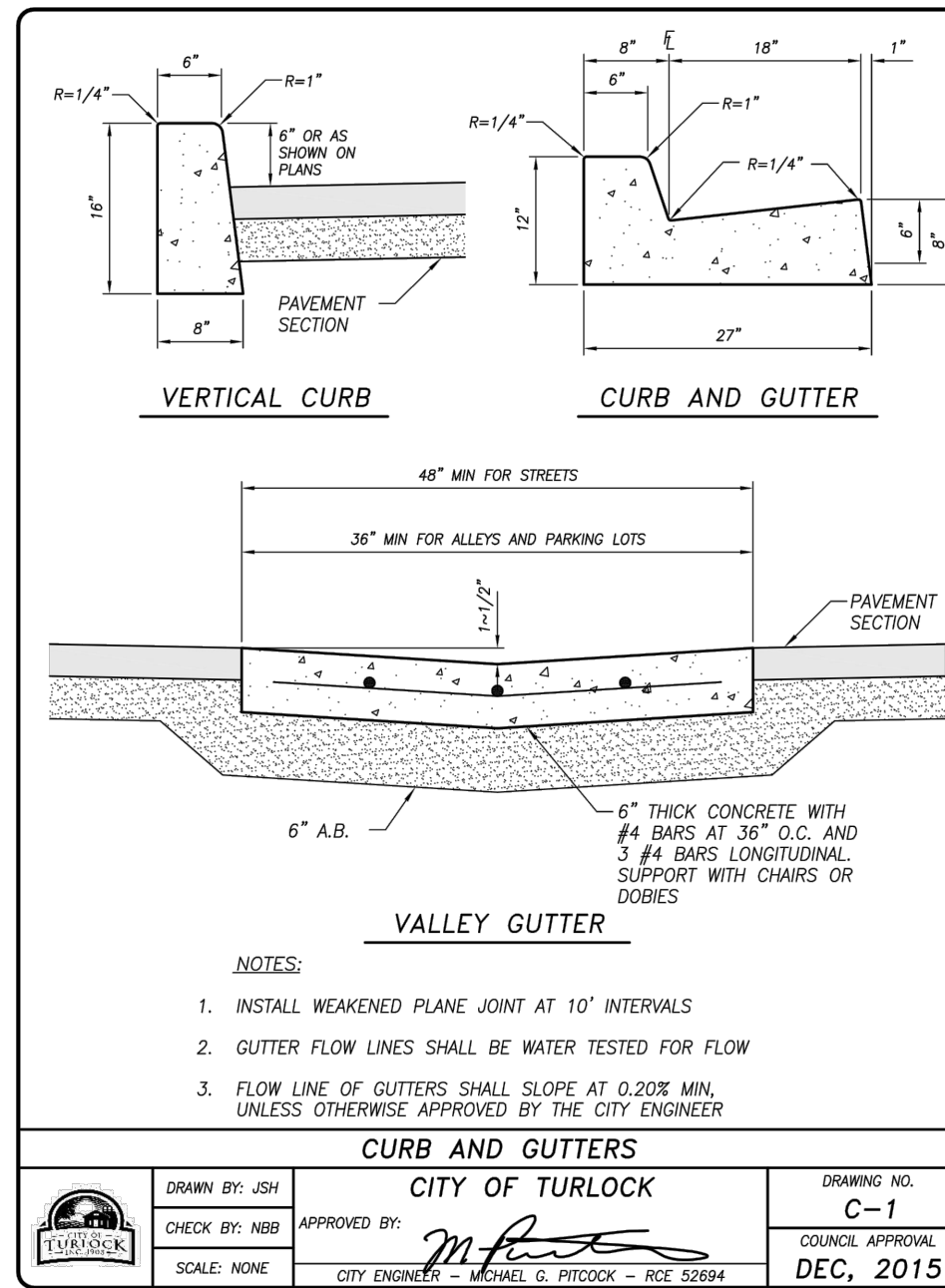
**SEWER LINE DETAIL**  
CITY OF TURLOCK  
DRAWN BY: JSH  
CHECK BY: NBB  
SCALE: NONE  
APPROVED BY: *M. Pirock*  
CITY ENGINEER - MICHAEL G. PIROCK - RCE 52894  
DRAWING NO. S-2  
COUNCIL APPROVAL  
DEC, 2015

**STANDARD MANHOLE**  
CITY OF TURLOCK  
DRAWN BY: JSH  
CHECK BY: NBB  
SCALE: NONE  
APPROVED BY: *M. Pirock*  
CITY ENGINEER - MICHAEL G. PIROCK - RCE 52894  
DRAWING NO. S-3  
COUNCIL APPROVAL  
DEC, 2015

**MANHOLE FRAME AND COVER**  
CITY OF TURLOCK  
DRAWN BY: JSH  
CHECK BY: NBB  
SCALE: NONE  
APPROVED BY: *M. Pirock*  
CITY ENGINEER - MICHAEL G. PIROCK - RCE 52894  
DRAWING NO. S-5  
COUNCIL APPROVAL  
DEC, 2015

**SEWER CONNECTIONS**  
CITY OF TURLOCK  
DRAWN BY: JSH  
CHECK BY: NBB  
SCALE: NONE  
APPROVED BY: *M. Pirock*  
CITY ENGINEER - MICHAEL G. PIROCK - RCE 52894  
DRAWING NO. S-7  
COUNCIL APPROVAL  
DEC, 2015

**ALLEY CROSS-SECTION**  
CITY OF TURLOCK  
DRAWN BY: JSH  
CHECK BY: NBB  
SCALE: NONE  
APPROVED BY: *M. Pirock*  
CITY ENGINEER - MICHAEL G. PIROCK - RCE 52894  
DRAWING NO. ST-3  
COUNCIL APPROVAL  
DEC, 2015



**CURB AND GUTTERS**  
CITY OF TURLOCK  
DRAWN BY: JSH  
CHECK BY: NBB  
SCALE: NONE  
APPROVED BY: *M. Pirock*  
CITY ENGINEER - MICHAEL G. PIROCK - RCE 52894  
DRAWING NO. C-1  
COUNCIL APPROVAL  
DEC, 2015

**3 STEP TRENCH REPAIR ~ STEP 1**  
CITY OF TURLOCK  
DRAWN BY: JSH  
CHECK BY: NBB  
SCALE: NONE  
APPROVED BY: *M. Pirock*  
INTERIM CITY ENGINEER - NATHAN B. BRAY - RCE 76842  
DRAWING NO. T-1  
COUNCIL APPROVAL  
FEB, 2019

**3 STEP TRENCH REPAIR ~ STEP 2**  
CITY OF TURLOCK  
DRAWN BY: JSH  
CHECK BY: NBB  
SCALE: NONE  
APPROVED BY: *M. Pirock*  
INTERIM CITY ENGINEER - NATHAN B. BRAY - RCE 76842  
DRAWING NO. T-2  
COUNCIL APPROVAL  
FEB, 2019

**3 STEP TRENCH REPAIR ~ STEP 3**  
CITY OF TURLOCK  
DRAWN BY: JSH  
CHECK BY: NBB  
SCALE: NONE  
APPROVED BY: *M. Pirock*  
INTERIM CITY ENGINEER - NATHAN B. BRAY - RCE 76842  
DRAWING NO. T-3  
COUNCIL APPROVAL  
FEB, 2019

**LONGITUDINAL TRENCH PATCH LIMITS**  
CITY OF TURLOCK  
DRAWN BY: JSH  
CHECK BY: NBB  
SCALE: NONE  
APPROVED BY: *M. Pirock*  
INTERIM CITY ENGINEER - NATHAN B. BRAY - RCE 76842  
DRAWING NO. T-4  
COUNCIL APPROVAL  
FEB, 2019

**ALLEY APPROACH**  
CITY OF TURLOCK  
DRAWN BY: JSH  
CHECK BY: NBB  
SCALE: NONE  
APPROVED BY: *M. Pirock*  
CITY ENGINEER - MICHAEL G. PIROCK - RCE 52894  
DRAWING NO. C-7  
COUNCIL APPROVAL  
DEC, 2015



NOTE:  
ALL REFERENCES AND WRITTEN DIMENSION SHALL SUPERCEDE ALL SCALED DISTANCES AND SHALL BE VERIFIED IN THE FIELD. ANY DISCREPANCY SHALL BE BROUGHT TO THE ATTENTION OF THE ENGINEER PRIOR TO THE COMMENCEMENT OF WORK

*William D. Morris*  
WILLIAM D. MORRIS, RCE 55910  
CITY ENGINEER  
DATE: 1/23/2024

100% SUBMITTAL

CITY OF TURLOCK  
PUBLIC WORKS DEPARTMENT  
ENGINEERING DIVISION  
156 S. BROADWAY, STE 150  
(209) 668-5520

DETAILS AND STANDARD PLANS  
CAPITAL PROJECT 19-48  
SEWER REPLACEMENT IN ALLEY  
BEHIND 147 S BROADWAY STREET

VERIFY SCALE  
BAR IS 1" ON ORIGINAL DRAWING

1/4" 3/4" 1"  
0" 1/2"

IF NOT ONE INCH ON THIS SHEET, ADJUST SCALES ACCORDINGLY

DRAWN BY: AE  
REV. BY:  
CH. BY: TP  
DATE: 1/23/2024  
SCALE:

SHEET	2
OF	3

NO.	REVISIONS	DESCRIPTION	DATE

PLANS PREPARED BY:  
**WILDAN Engineering**  
2401 EAST HATEL  
ANAHIM, CALIFORNIA 92806  
(714) 978-9200  
UNDER THE SUPERVISION OF:  
*KEVIN SMITH*  
REGISTERED PROFESSIONAL ENGINEER  
NO. 90884  
CIVIL  
STATE OF CALIFORNIA

CAPITAL PROJECT 19-48  
SEWER REPLACEMENT IN ALLEY  
BEHIND 147 S BROADWAY STREET

1/23/2024  
DATE

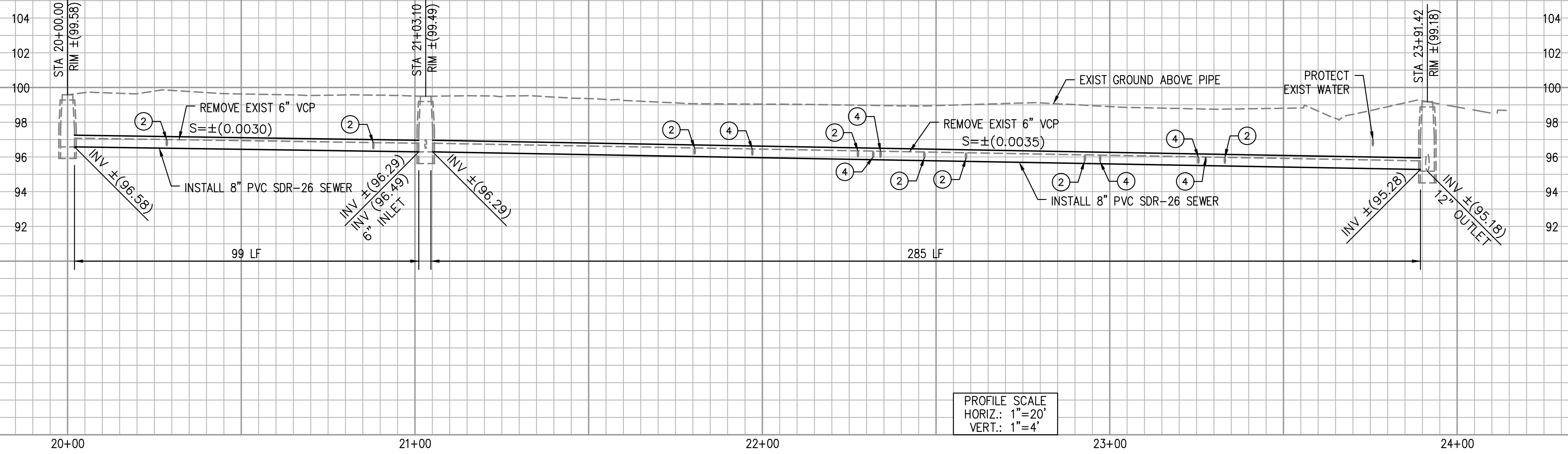
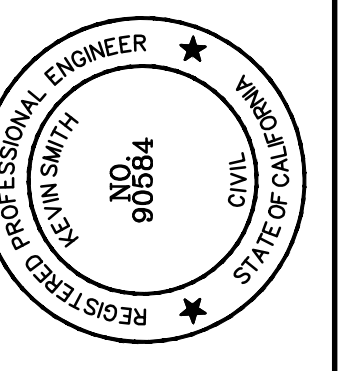
RCE NO. 90584

U:\10217-TURLOCK SEWER\900-PS&E\901-PLANS\PL-DET-01.DWG 1/23/2024 10:38:45 AM

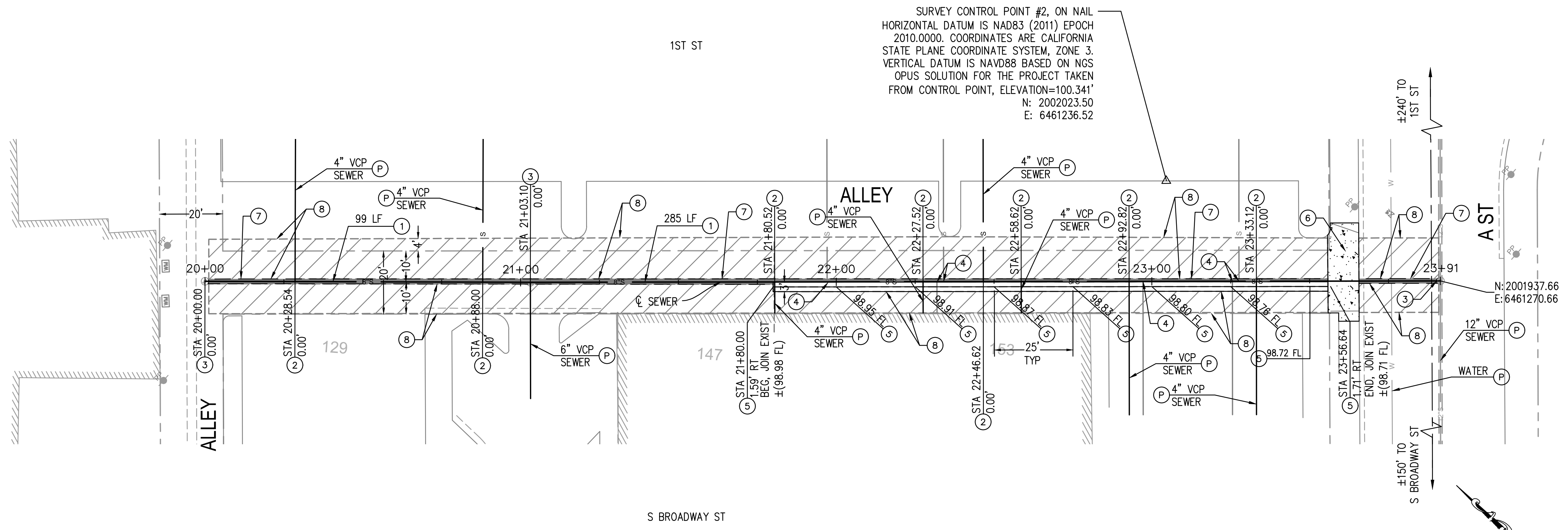
NO.	REVISIONS	DESCRIPTION	DATE

CAPITAL PROJECT 19-48  
SEWER REPLACEMENT IN ALLEY  
BEHIND 147 S BROADWAY STREET

PLANS PREPARED BY:  
**WILDAN Engineering**  
2401 EAST ASTEL BLVD, SUITE 300  
ANAHEIM, CALIFORNIA 92806  
(714) 978-8200  
UNDER THE SUPERVISION OF:  
KEVIN SMITH, RCE No. 90584  
1/23/2024  
DATE



PROFILE SCALE  
HORIZ.: 1"=20'  
VERT.: 1"=4'

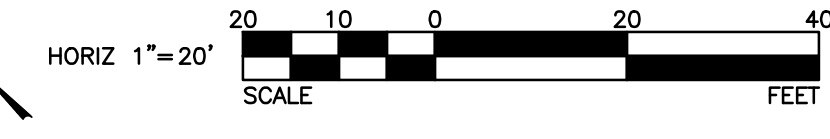


SURVEY CONTROL POINT #2, ON NAIL  
HORIZONTAL DATUM IS NAD83 (2011) EPOCH  
2010.0000. COORDINATES ARE CALIFORNIA  
STATE PLANE COORDINATE SYSTEM, ZONE 3.  
VERTICAL DATUM IS NAVD88 BASED ON NGS  
OPUS SOLUTION FOR THE PROJECT TAKEN  
FROM CONTROL POINT, ELEVATION=100.341'  
N: 2002023.50  
E: 6461236.52

- CONSTRUCTION NOTES:**
- REMOVE EXISTING PIPE AND INSTALL 8-INCH PVC SDR-26 SEWER.
  - RECONNECT EXISTING SEWER LATERAL TO MAINLINE PER CITY OF TURLOCK STD DRAWING NO. S-7 AND SPECIFICATIONS.
  - MODIFY MANHOLE BASE TO MATCH INVERTS SHOWN. MODIFICATIONS SHALL CONFORM TO CITY OF TURLOCK STD DRAWING NO. S-3.
  - VERIFY THAT EXISTING LATERAL IS PLUGGED AND ABANDON LATERAL BY CUTTING AND CAPPING.
  - REMOVE AND CONSTRUCT VALLEY GUTTER PER CITY OF TURLOCK STD DRAWING NO. C-1.
  - REMOVE AND REPLACE ALLEY APPROACH PER CITY OF TURLOCK STD DRAWING NO. C-7.
  - UTILITY TRENCHING PER CITY OF TURLOCK STD DRAWING NO. T-1, T-2, AND T-3.
  - LONGITUDINAL TRENCH PATCH PER CITY OF TURLOCK STD DRAWING NO. T-4.
  - PROTECT IN PLACE.

- LEGEND:**
- UTILITY TRENCHING PER CITY OF TURLOCK STD DRAWING NO. T-1, T-2, AND T-3.
  - LONGITUDINAL TRENCH PATCH PER CITY OF TURLOCK STD DRAWING NO. T-4
  - REMOVE AND REPLACE ALLEY APPROACH PER CITY OF TURLOCK STD DRAWING NO. C-7.

**NOTE:**  
TEMPORARY SEWER BYPASS PUMPING TO BE INSTALLED IN ACCORDANCE WITH SPECIFICATIONS



100% SUBMITTAL

U:\10217-TURLOCK SEWER 900-PS&E\901-PLANS\PL-SEWR-03.DWG 1/23/2024 10:38:15 AM



**NOTE:**  
ALL REFERENCES AND WRITTEN DIMENSION SHALL SUPERCEDE ALL SCALED DISTANCES AND SHALL BE VERIFIED IN THE FIELD. ANY DISCREPANCY SHALL BE BROUGHT TO THE ATTENTION OF THE ENGINEER PRIOR TO THE COMMENCEMENT OF WORK

*William D. Morris*  
WILLIAM D. MORRIS, RCE 55910  
CITY ENGINEER  
DATE: 1/23/2024



CITY OF TURLOCK  
PUBLIC WORKS DEPARTMENT  
ENGINEERING DIVISION  
156 S. BROADWAY, STE 150  
(209) 668-5520

ALLEY BEHIND 147 S BROADWAY STREET  
CAPITAL PROJECT 19-48  
SEWER REPLACEMENT IN ALLEY  
BEHIND 147 S BROADWAY STREET

VERIFY SCALE BAR IS 1" ON ORIGINAL DRAWING 1/4" 3/4" 0" 1/2" 1"	DRAWN BY: AE REV. BY: CH. BY: TP DATE: 1/23/2024 SCALE: 1"=20'	SHEET <b>3</b> OF 3
--	--	------------------------------